

Technical data sheet



Product features

Cooking range gas 4x burner ECO without cabinet

Model	SAP Code	00110104
--------------	-----------------	----------



- Device type: Gas unit
- Power consumption of the zone 1 [kW]: 1x burner 3.5 kW
- Power consumption of the zone 2 [kW]: 3x burner 6 kW
- Power consumption of the zone 3 [kW]: 6
- Power consumption of the zone 4 [kW]: 3,5
- Protection of controls: IPX4
- Material: AISI 304 top plate, AISI 430 cladding

SAP Code	00110104	Type of gas	Natural gas, propane butane
Net Width [mm]	800	Number of zones	4
Net Depth [mm]	700	Power consumption of the zone 1 [kW]	1x burner 3.5 kW
Net Height [mm]	330	Power consumption of the zone 2 [kW]	3x burner 6 kW
Net Weight [kg]	32.00	Power consumption of the zone 3 [kW]	6
Power gas [kW]	21.500	Power consumption of the zone 4 [kW]	3,5

Technical data sheet



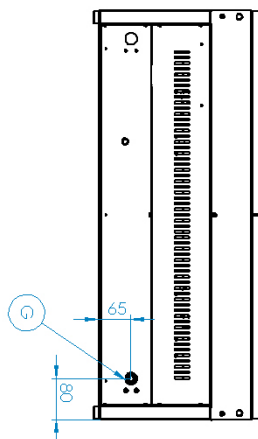
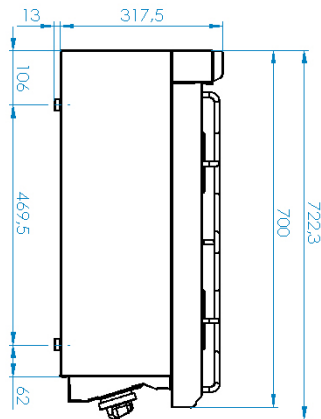
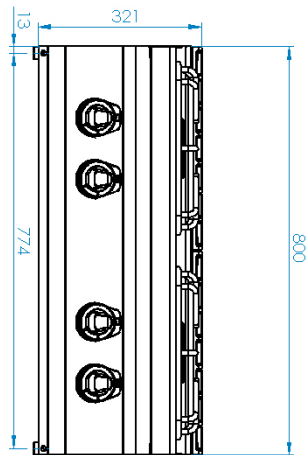
Technical drawing

Cooking range gas 4x burner ECO without cabinet

Model

SAP Code

00110104



Technical data sheet



Product benefits

Cooking range gas 4x burner ECO without cabinet

Model	SAP Code	00110104
--------------	-----------------	----------

1

Massive construction of burners

- high performance and efficiency
- cast iron burners removable
- long life
 - energy saving (perfect combustion)
 - time saving for food preparation
 - easy maintenance/cleaning

2

Hygienic moldings of the top plate

- absence of sharp corners and edges (potential places where dirt could stick)
- smooth transitions
 - easy quick cleaning

3

Degree of protection of the control elements IPX4

- maintenance-free system
- resistance to splash water
- long life
 - savings on service interventions
 - easy cleaning and maintenance of equipment

4

All-stainless design

- long life
- resistance of a ground steel plate with a thickness of 10 mm
 - savings on service interventions
 - higher corrosion resistance

5

Safety element – thermocouple

- safe operation for personnel
- there is no overheating and damage to the thallus
- long life
 - savings on service interventions
 - easier and faster operation

6

Cooking unit for use on a table or on a base

- variable use
- the possibility of placement in smaller spaces
 - easy handling
 - cost savings on substructure

Technical data sheet



Technical parameters

Cooking range gas 4x burner ECO without cabinet

Model

SAP Code

00110104

1. SAP Code:

00110104

2. Net Width [mm]:

800

3. Net Depth [mm]:

700

4. Net Height [mm]:

330

5. Net Weight [kg]:

32.00

6. Gross Width [mm]:

840

7. Gross depth [mm]:

800

8. Gross Height [mm]:

390

9. Gross Weight [kg]:

44.00

10. Device type:

Gas unit

11. Construction type of device:

Table top

12. Power gas [kW]:

21.500

13. Type of gas:

Natural gas, propane butane

14. Protection of controls:

IPX4

15. Material:

AISI 304 top plate, AISI 430 cladding

16. Worktop type:

Molded - comfortable cleaning maintenance

17. Worktop material:

AISI 304

18. Worktop Thickness [mm]:

1.20

19. Number of zones:

4

20. Power consumption of the zone 1 [kW]:

1x burner 3.5 kW

21. Power consumption of the zone 2 [kW]:

3x burner 6 kW

22. Power consumption of the zone 3 [kW]:

6

23. Power consumption of the zone 4 [kW]:

3,5

24. Grid material:

Cast iron

25. Safety thermocouple:

Yes

26. Adjustable feet:

Yes

27. Number of burners/hot plates:

4

28. Type of gas cooking zones:

Cast iron burners

Technical data sheet



Technical parameters

Cooking range gas 4x burner ECO without cabinet

Model	SAP Code	00110104
--------------	-----------------	----------

29. Burner type:

Cast iron, detachable, with internal and external combustion